

GIUSEPPE FLOODLIGHT

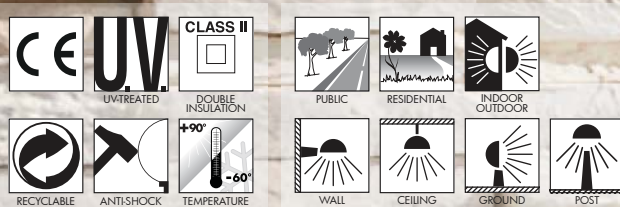
Square floodlight with no visible screws made of shockproof resin material, UV-rays stabilized, rust and corrosion-free. Suitable for wall, ceiling, ground and post installation. A fully adjustable bracket is available as option to direct the light emission. Supplied with TÜV approved, long-life and efficient **GX53 LED lamps included** or provided with **2x E27 lampholders**. Motion sensor version available. Insulation class II, Protection rating IP66.



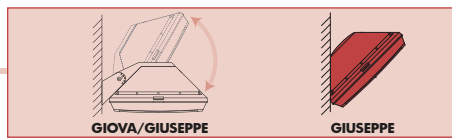
Proiettore quadro senza viti a vista, fabbricato in resina antiurto stabilizzata ai raggi UV, inattaccabile da ruggine e corrosione. Idoneo per installazioni a parete, a soffitto, al suolo e a palo. Il proiettore si può inclinare e orientare a piacimento con l'ausilio di un braccio opzionale. Provvisto di lampadine a LED GX53 approvate TÜV di lunga durata ed elevata efficienza o fornito nella versione 2x E27. Disponibile anche con sensore di movimento. Classe di isolamento II, grado di protezione IP66.



4P2.000.D4L



BULKHEAD
FLOODLIGHT
IN-GROUND
BRICKLIGHT
BOLLARDS
GARDEN
URBAN CLASSIC
URBAN MODERN
HIGH-BAY
POST
LAMPS



GIUSEPPE - COMPONENTS

IP 66



COVER with no visible screws, made of shockproof resin material, UV-rays stabilized.

COVER senza viti a vista in resina antiurto stabilizzata ai raggi UV.

DIFFUSER made of UV-rays stabilized polymethyl-methacrylate (PMMA) screwed to the floodlight body.

DIFFUSORE realizzato in polimetilmetacrilato (PMMA) stabilizzato ai raggi UV da avvitare al corpo del proiettore.

BODY made of shockproof resin material, UV-rays stabilized, provided with silicone rubber gasket to ensure high protection against external agents.

CORPO realizzato in resina antiurto, stabilizzata ai raggi UV, completa di guarnizione in gomma siliconica per garantire un alto livello di protezione contro gli agenti esterni.

GIUSEPPE



Dimensions and weight

Height: 150 mm
Width: 300 mm
Weight: 2,6 Kg

Moulded Colours:

Black Grey White

Diffuser PC:

Opal Frosted (upon request)

LED LAMPS



More technical details about TÜV approved Fumagalli LED Lamps on page 468.

4x GX53 LED

FULLY PRE-WIRED



4P2.000

Floodlight supplied with white resin reflective ceiling fully pre-wired and complete with TÜV approved long-life and efficient **4x GX53 LED lamps included**. Different wattages available. Quick and easy lamp replacement for a very simple maintenance after installation.

*ADD. SUFFIX

	4x 7W 28W	3200 Lm	4000 K	.C4L
			3000 K	.C4R
	4x 10W 40W	4800 Lm	4000 K	.D4L
			3000 K	.D4R

4x 10W = 100W
4800 Lm SON-HQI

SAVE 60%

GX53 LED

FULLY PRE-WIRED



4P1.000

Floodlight supplied fully pre-wired and complete with TÜV approved, long-life and efficient **GX53 LED lamp** in different wattages. Quick and easy lamp replacement for a very simple maintenance after installation. Sensor available as option.

*ADD. SUFFIX

	11 W	1300 Lm	4000 K	.B1L
			3000 K	.B1R
	18 W	2000 Lm	4000 K	.E1L
			3000 K	.E1R
	11 W + SENSOR	1300 Lm	4000 K	.BSL
			3000 K	.BSR
	18 W + SENSOR	2000 Lm	4000 K	.ESL
			3000 K	.ESR

11W 18W = 100W
incandescent

SAVE 90%

2x E27

FULLY PRE-WIRED



4P2.000

Floodlight supplied fully pre-wired with white resin reflective ceiling and complete with **2x E27 lampholders**. Daylight and motion sensor available as option. Sensor operating voltage: 220-240V. (120V version available on demand).

*ADD. SUFFIX

2x E27 (CFL-LED)	max 160 mm	.E28
2x E27 + SENSOR	max 160 mm	.ES8

* ADD THESE SUFFIXES TO THE REFERENCES MENTIONED IN THE CATALOGUE

POST VERSION

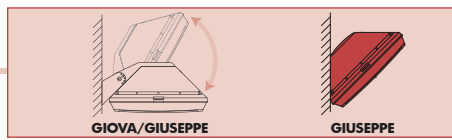


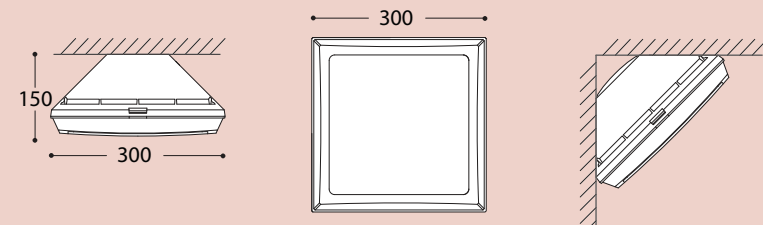
Detailed information on next page.

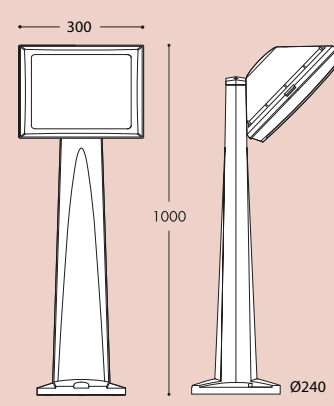
BULKHEAD
FLOODLIGHT
IN-GROUND
BRICKLIGHT
BOLLARDS
GARDEN
URBAN CLASSIC
URBAN MODERN
HIGH-BAY
POST
LAMPS

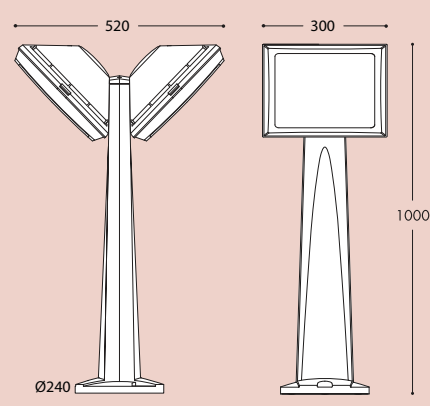


MADE IN
ITALY



GIUSEPPE		
4P1.000.B1L	11W	4P1.000.B1R
4P1.000.E1L	18W	4P1.000.E1R
4P2.000.C4L	28W	4P2.000.C4R
4P2.000.D4L	40W	4P2.000.D4R
4000K	GX53 LED LAMP INCLUDED	3000K
		
<p>Pcs 10 Kg 25 mc 0,195</p>		
2xE27		4P2.000.E28
2xE27 with sensor		4P2.000.ES8

PINA 1L		
4P1.613.010.B1L	11W	4P1.613.010.B1R
4P1.613.010.E1L	18W	4P1.613.010.E1R
4P2.613.010.C4L	28W	4P2.613.010.C4R
4P2.613.010.D4L	40W	4P2.613.010.D4R
4000K		3000K
		
<p>Pcs 1 Kg 4,5 mc 0,097</p>		
2xE27	4P2.613.010.E28	
2xE27 with sensor	4P2.613.010.ES8	

PINA 2L		
4P1.613.020.B1L	2x 11W	4P1.613.020.B1R
4P1.613.020.E1L	2x 18W	4P1.613.020.E1R
4P2.613.020.C4L	2x 28W	4P2.613.020.C4R
4P2.613.020.D4L	2x 40W	4P2.613.020.D4R
4000K		3000K
		
<p>Pcs 1 Kg 7 mc 0,097</p>		
2xE27	4P2.613.020.E28	
2xE27 with sensor	4P2.613.020.ES8	