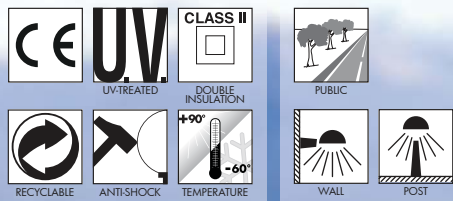


CANA 500

GRAND SIZE

PMMA amphora, complete with classic base made of shockproof resin material, UV-rays stabilized, rust and corrosion-free. Suitable for post top or wall installation. Provided with E27 lampholder and prepared for ballast and louvre fixation. Insulation class II, protection rating IP65.

Anfora in polimetilmetacrilato (PMMA) completo di base classica realizzata in resina antiurto, stabilizzata ai raggi UV, inattaccabile da ruggine e corrosione. Idoneo per il montaggio a palo o a parete. Fornito con portalampada E27 e predisposto per il fissaggio dei reattori e del frangiluce. Classe di isolamento II, grado di protezione IP65.





CANA 500 - COMPONENTS

IP65



Classic **AMPHORA** made of UV-rays stabilized polymethylmethacrylate (PMMA), one piece only. Available in clear, opal or smoked colour.

ANFORA in stile classico in polimetilmetacrilato (PMMA), resistente all'ingiallimento ed ai raggi UV, realizzato in un unico pezzo. Disponibile nei colori trasparente, bianco o fumé.

Chrome aluminium **LOUVRE** with a laminar symmetrical optic system to direct the lighting output and to get a lower dazzle (optional).

FRANGILUCE in alluminio cromato con sistema ottico lamellare a ripartizione simmetrica per orientare il fascio di luce e ridurre l'abbagliamento (opzionale).

BASE, made of shockproof resin material, UV-rays stabilized, rust and corrosion-free, consisting of a support and of a cover suitable for ballast kit fixation on its lower side and provided with E27 lampholder on its upper side. A rubber gasket assures the protection of the electrical accessories seat against external agents.

BASE realizzata in resina antiurto, stabilizzata ai raggi UV, inattaccabile da ruggine e corrosione. Composta da un supporto e da un coperchio nella cui parte inferiore possono essere fissati gli accessori elettrici e nella cui parte superiore si trova l'alloggiamento per il portalampada E27 (incluso). Una guarnizione in gomma garantisce la protezione dell'alloggiamento degli accessori elettrici dagli agenti esterni.

CANA 500

C50.B50 *



Dimensions and weight

Height: 690 mm
Diameter: 400 mm
Junction to support: diameter 60 mm
Weight: 3,4 Kg
Area exposed to wind pressure:
CxS = m² 0,122

Moulded colours:

Black White

Painted colours:

Antique green Antique bronze

Diffuser PMMA:

Clear Opal

CHROME ALUMINIUM LOUVRE

H.FC1 closed
Upward position



E27

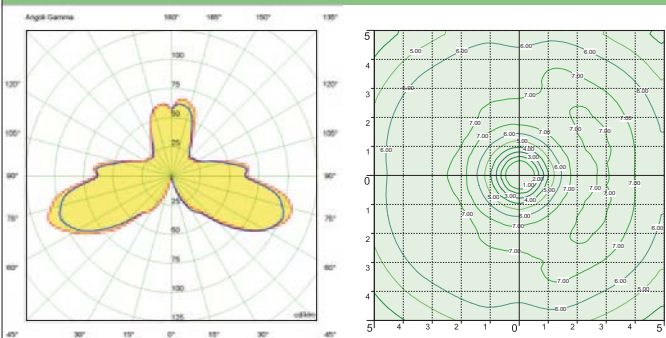
*ADD. SUFFIX



Amphora complete with classic base and E27 lampholder. Provided as an option with ballast kit for SON-HQI.	E27 (GLS-CFL-LED)	E27 lampholder only	.E27
	E27 WITH BALLAST KIT	SON 70W	.S70
		HQI 70W	.H70

* ADD THE ABOVE SUFFIXES TO THE REFERENCES MENTIONED IN THE CATALOGUE

PHOTOMETRIC DATA SAMPLE



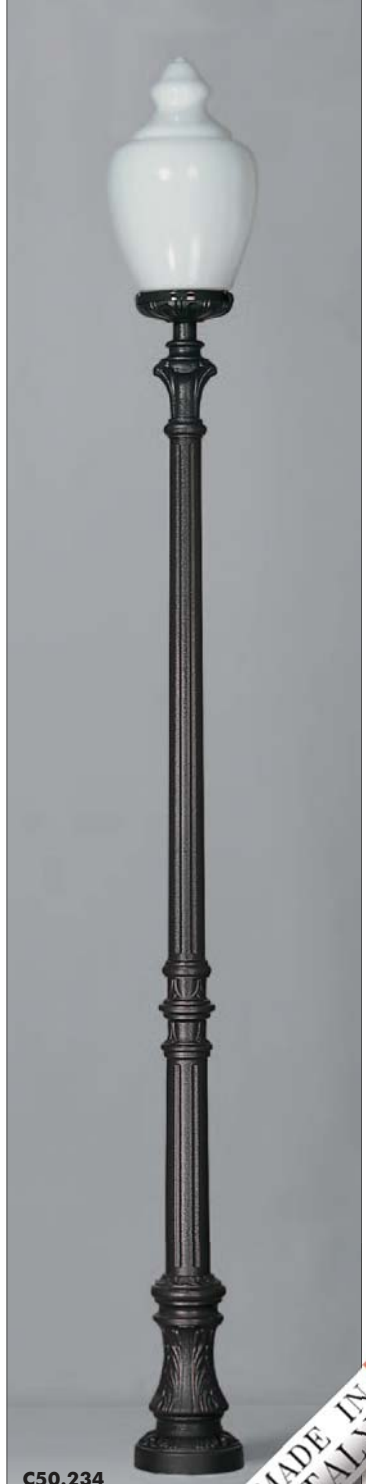
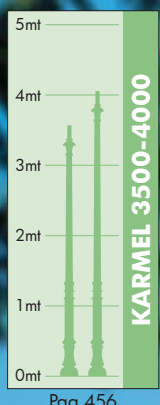
CANA 500 clear SON 70W (with louvre).

POST height 3,5mt
10 x 10mt area: average 6 lux

The photometric data for all the versions are available upon request or on our website.

KARMEL 3500-4000/**CANA 500**
GRAND SIZE

BULKHEAD
FLOODLIGHT
IN-GROUND
BRICKLIGHT
BOLLARDS
GARDEN
URBAN CLASSIC
URBAN MODERN
HIGH-BAY
POST
LAMPS





BULKHEAD
FLOODLIGHT
IN-GROUND
BRICKLIGHT
BOLLARDS
GARDEN
URBAN CLASSIC
URBAN/MODERN
HIGH-BAY
POST
LAMPS

LOT/CANA 500
C50.113

Pcs 1
Kg 16
mc 0,200

400
930
Ø 190

ADAM/CANA 500
C50.171

Pcs 1
Kg 4,9
mc 0,187

635
800

KARMEL 3500 ADAM/ KARMEL 4000 ADAM/ CANA 500 2L
C50.234.M20 **C50.237.M20**

Pcs 1
Kg 35,1
mc 0,446

Pcs 1
Kg 38,7
mc 0,468

1300
4790
4290

2

KARMEL 3500/ CANA 500 **KARMEL 4000/ CANA 500**
C50.234 **C50.237**

Pcs 1
Kg 28,5
mc 0,320

Pcs 1
Kg 32
mc 0,371

400
4170
Ø 275

KARMEL 3500 ADAM/ KARMEL 4000 ADAM/ CANA 500 2+1
C50.234.M21 **C50.237.M21**

Pcs 1
Kg 38,8
mc 0,522

Pcs 1
Kg 42,3
mc 0,647

1300
4850
4350
Ø 275

2+1

KARMEL 3500 ADAM/ KARMEL 4000 ADAM/ CANA 500 3L
C50.234.M30 **C50.237.M30**

Pcs 1
Kg 39,7
mc 0,579

Pcs 1
Kg 43,2
mc 0,584

1270
4790
4290

3

KARMEL 3500 ADAM/ KARMEL 4000 ADAM/ CANA 500 3+1
C50.234.M31 **C50.237.M31**

Pcs 1
Kg 43,4
mc 0,638

Pcs 1
Kg 46,9
mc 0,681

1270
4850
4350
Ø 275

3+1

GIONA 4000/**CANA 500**
GRAND SIZE

BULKHEAD
FLOODLIGHT
IN-GROUND
BRICKLIGHT
BOLLARDS
GARDEN
URBAN CLASSIC
URBAN MODERN
HIGH-BAY
POST
LAMPS



C50.221

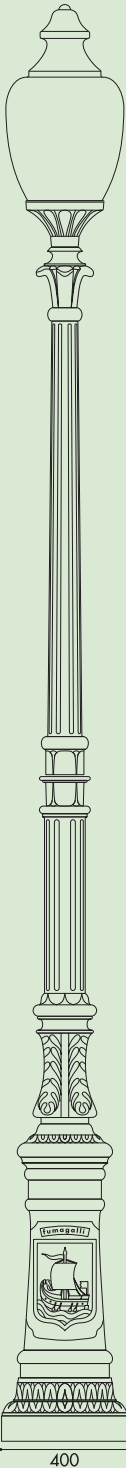
MADE IN ITALY



GIONA 4000/CANA 500

C50.221

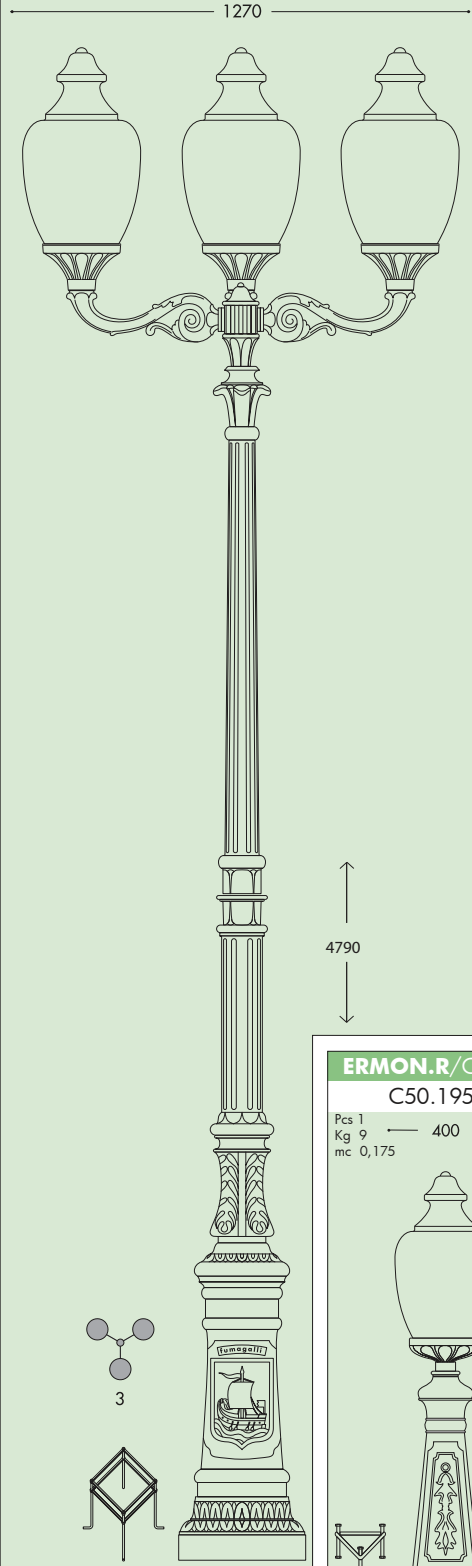
Pcs 1
Kg 54,5
mc 0,780



GIONA 4000 ADAM/CANA 500 3L

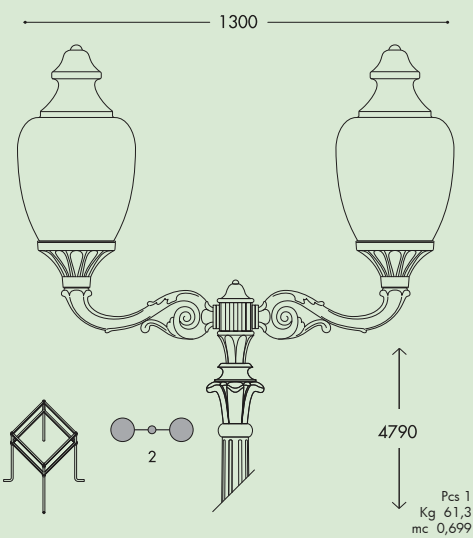
C50.221.M30

Pcs 1
Kg 65,7
mc 0,854



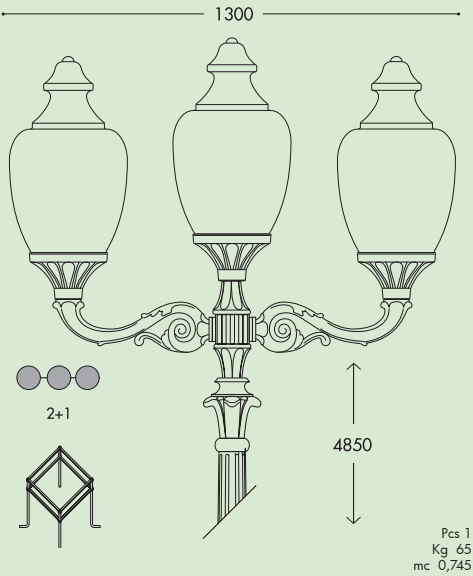
GIONA 4000 ADAM/CANA 500 2L

C50.221.M20



GIONA 4000 ADAM/CANA 500 2+1

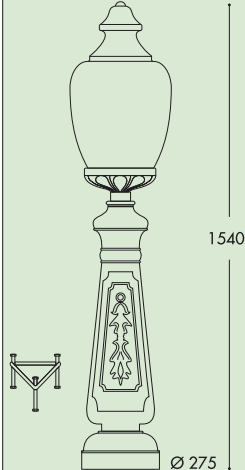
C50.221.M21



ERMON.R/CANA 500

C50.195 resin

Pcs 1
Kg 9
mc 0,175



GIONA 4000 ADAM/CANA 500 3+1

C50.221.M31

